



SMC-3 / SMC Flex / SMC-50 (201, 251, 317, 361, 480A) Protective Module Installation Instructions

(Cat 150-F84L (480V), 150-F86L (600V))

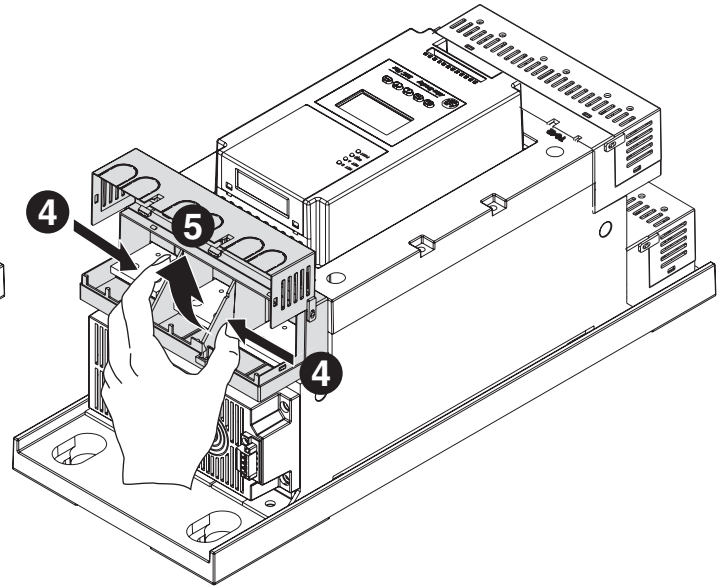
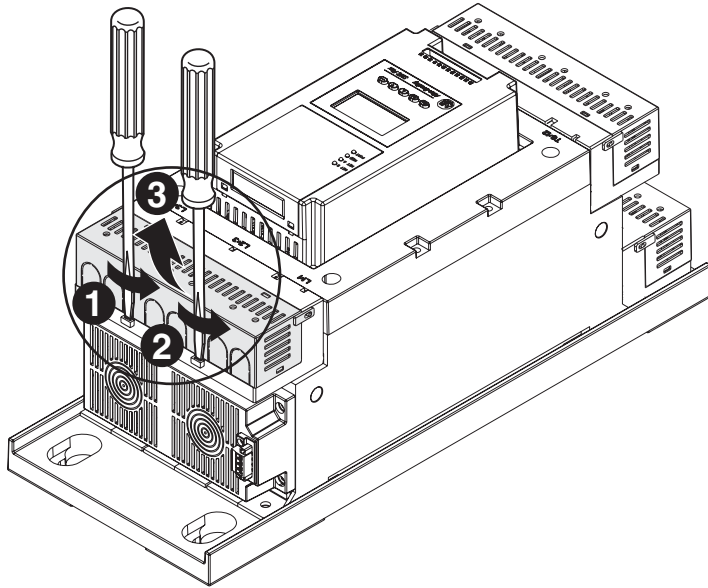


WARNING: To prevent electrical shock, disconnect from power source before installing or servicing. Install in a suitable enclosure. Keep free from contaminants.

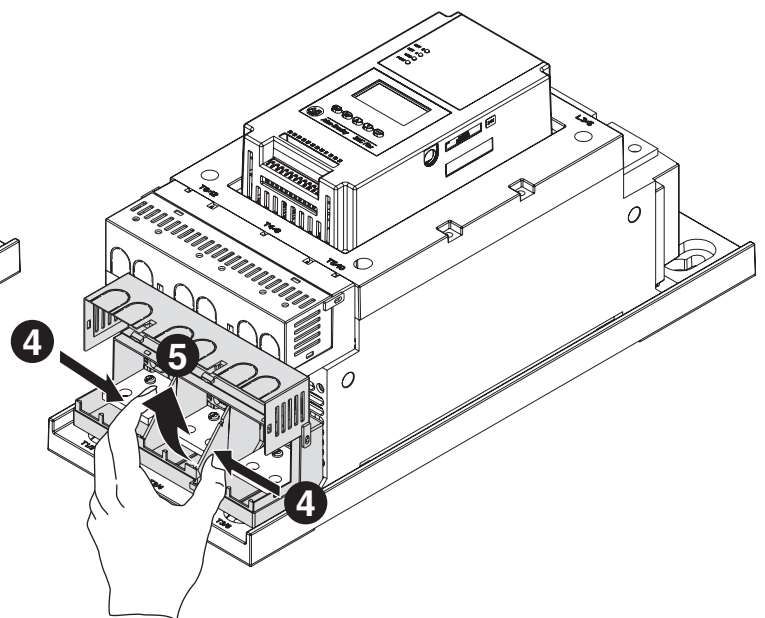
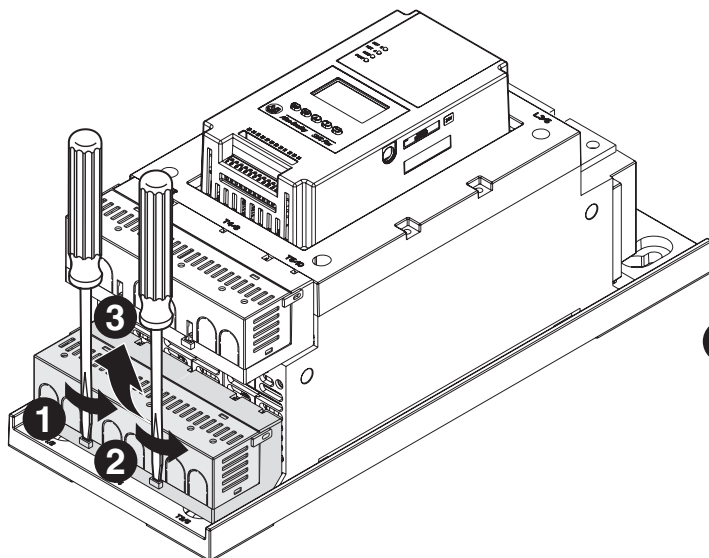


WARNING: Protective modules must not be mounted on the load side when used with controllers that use an inside-the-delta motor connection or with pump, linear deceleration or braking control. Installing them with a Delta motor connection will result in immediate damage to the protective module.

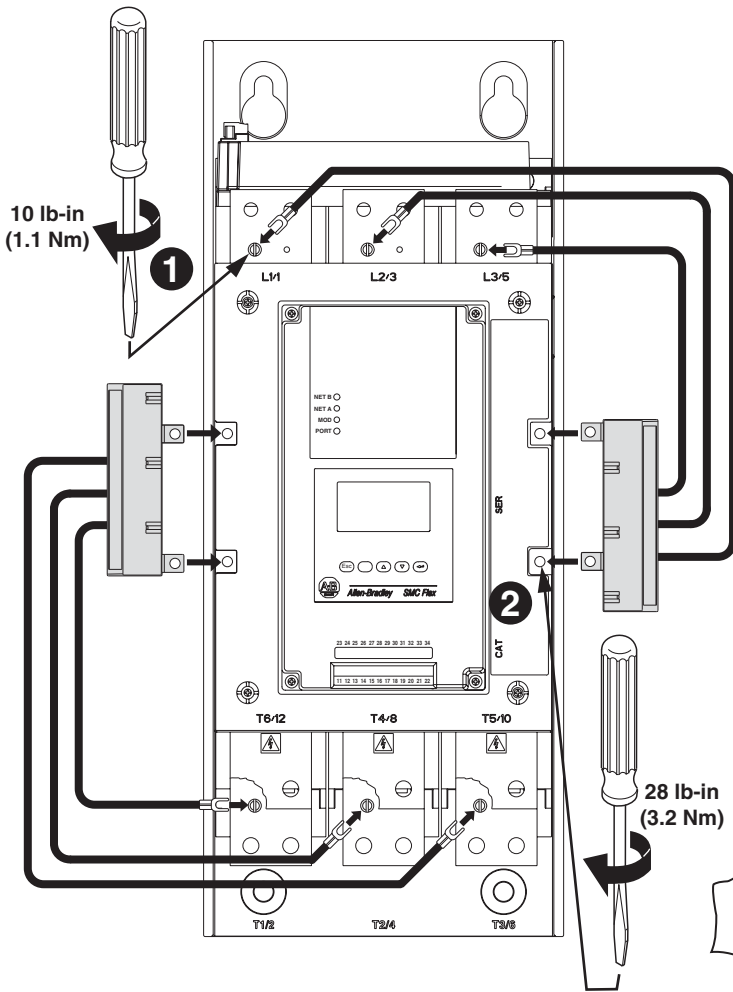
Line Side Terminal Cover Removal (SMC Flex shown)



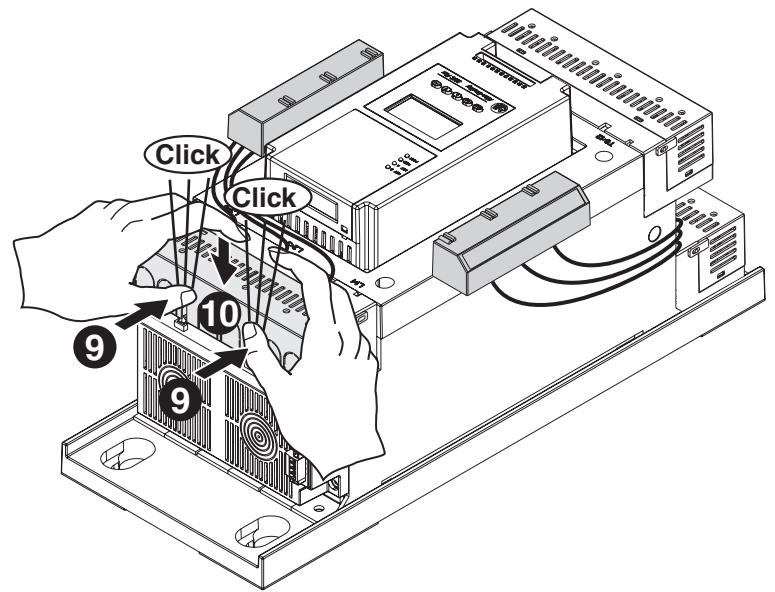
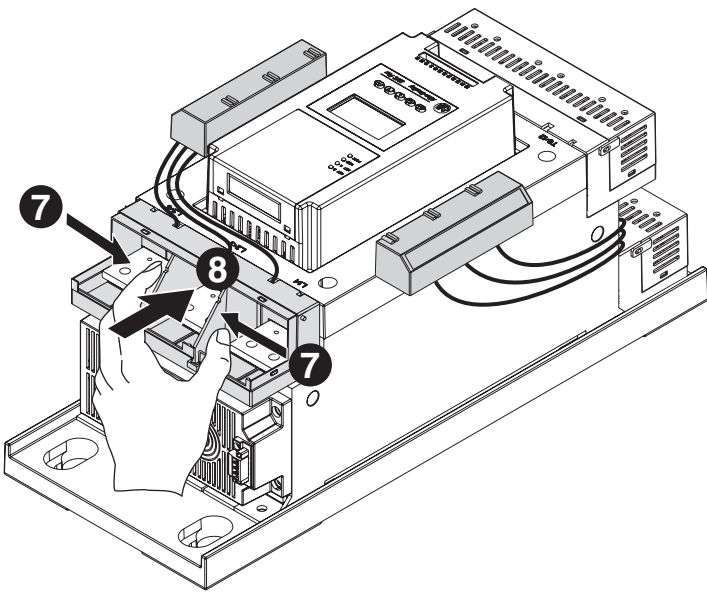
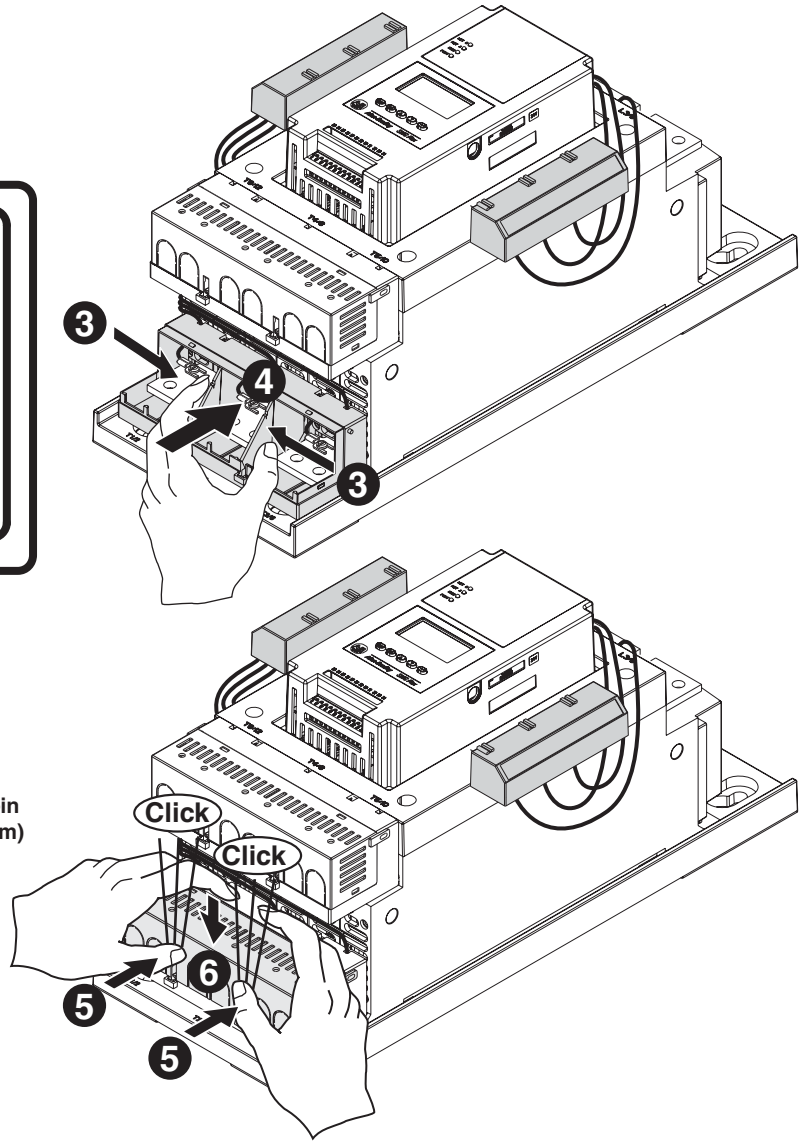
Load Side Terminal Cover Removal (SMC Flex shown)



Protective Modules Installation



(SMC Flex shown)





SMC-3 / SMC Flex / SMC-50 (108, 135A) Protective Module Installation Instructions

(Cat 150-F84L (480V), 150-F86L (600V))

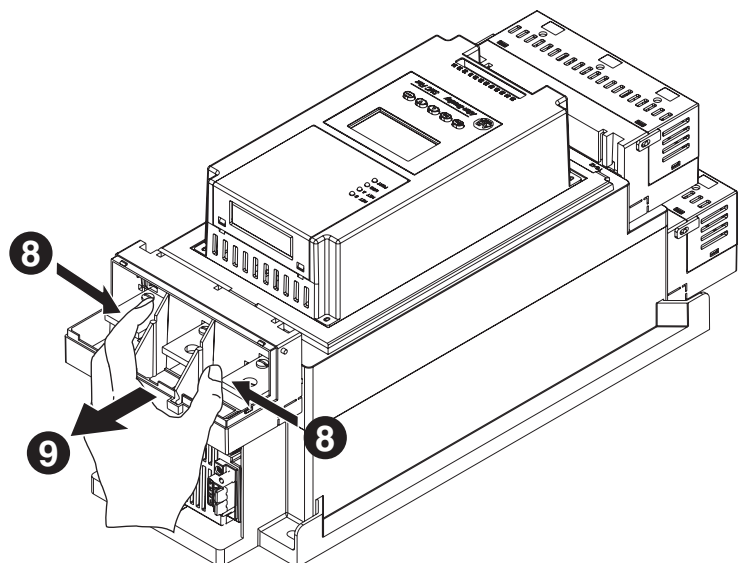
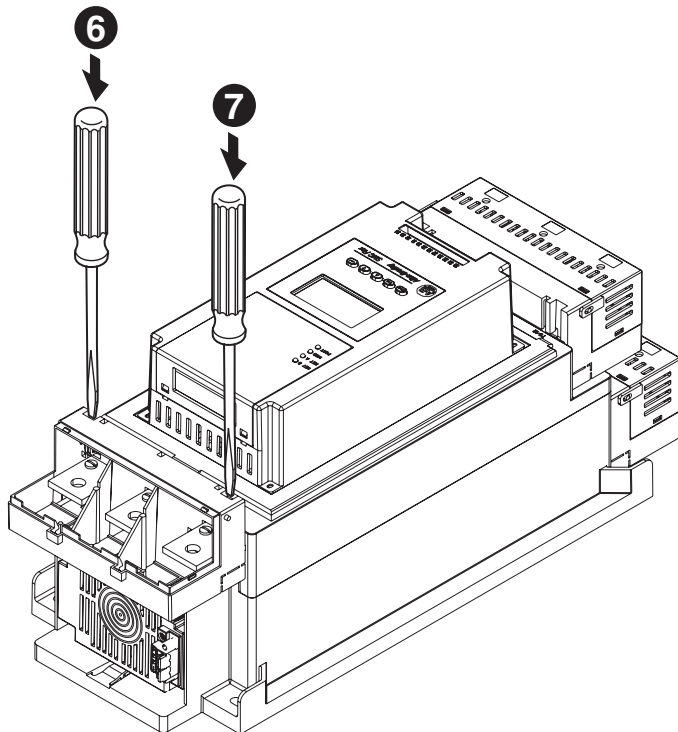
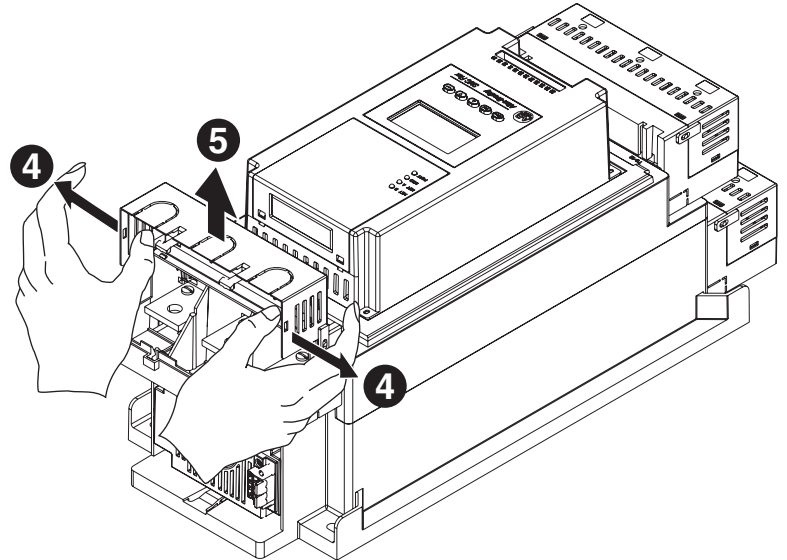
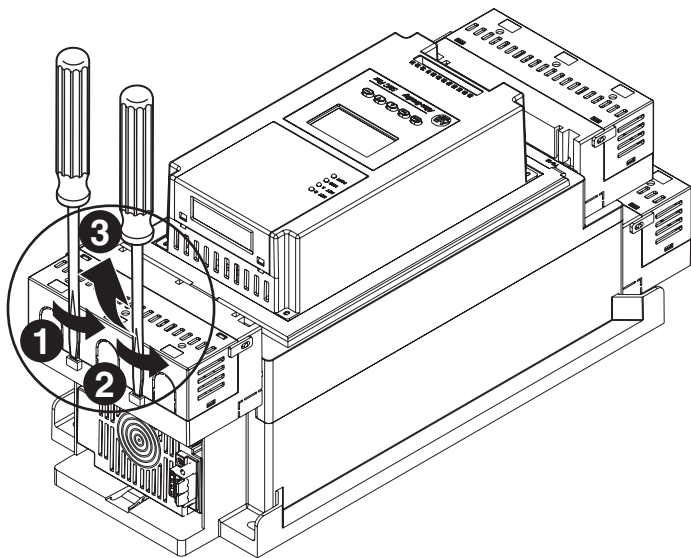


WARNING: To prevent electrical shock, disconnect from power source before installing or servicing. Install in a suitable enclosure. Keep free from contaminants.

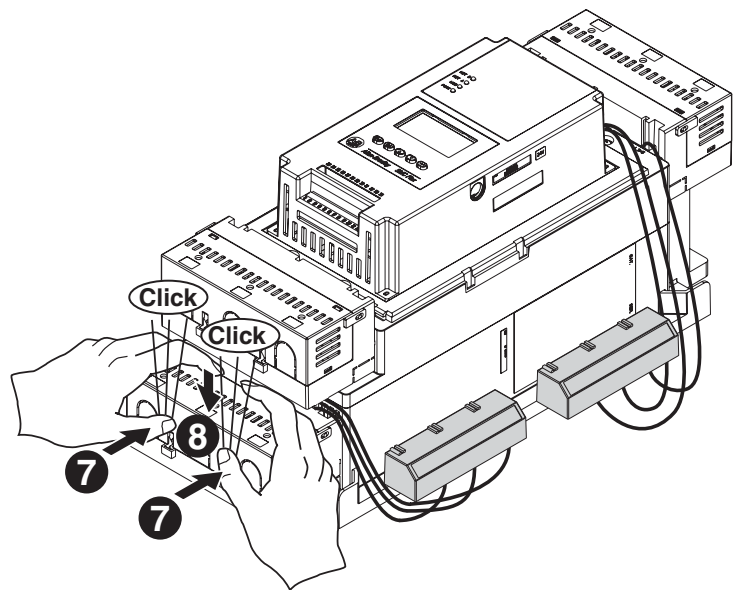
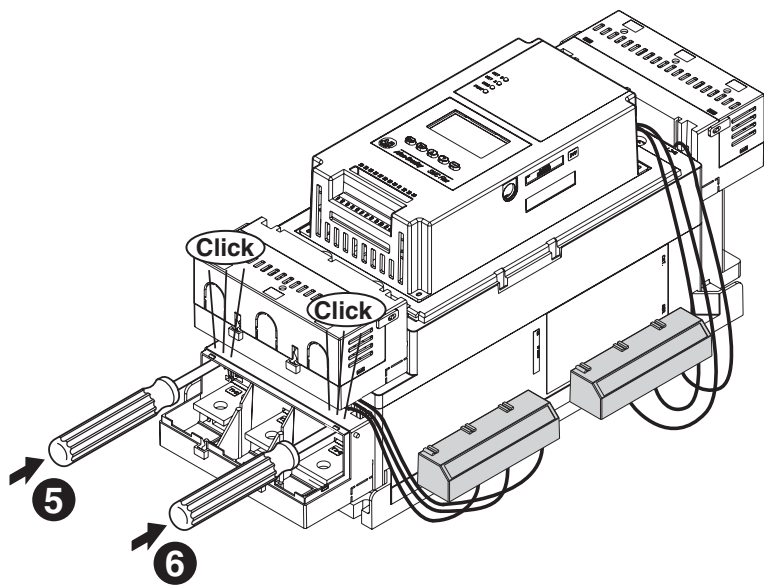
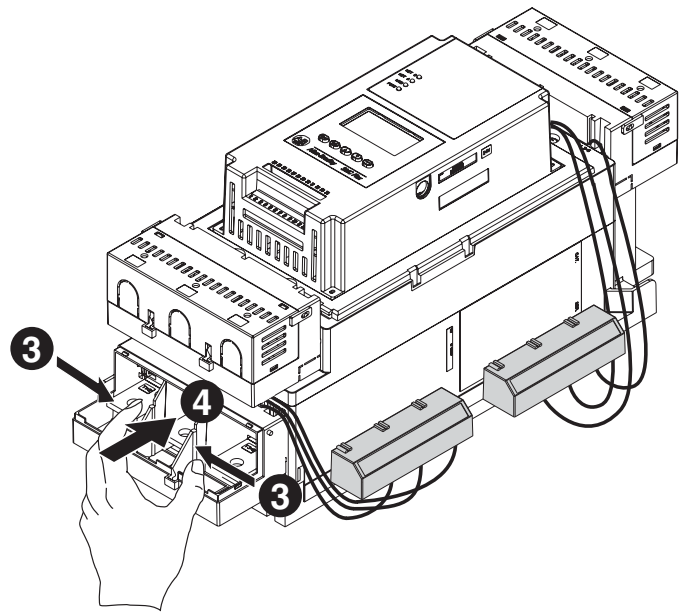
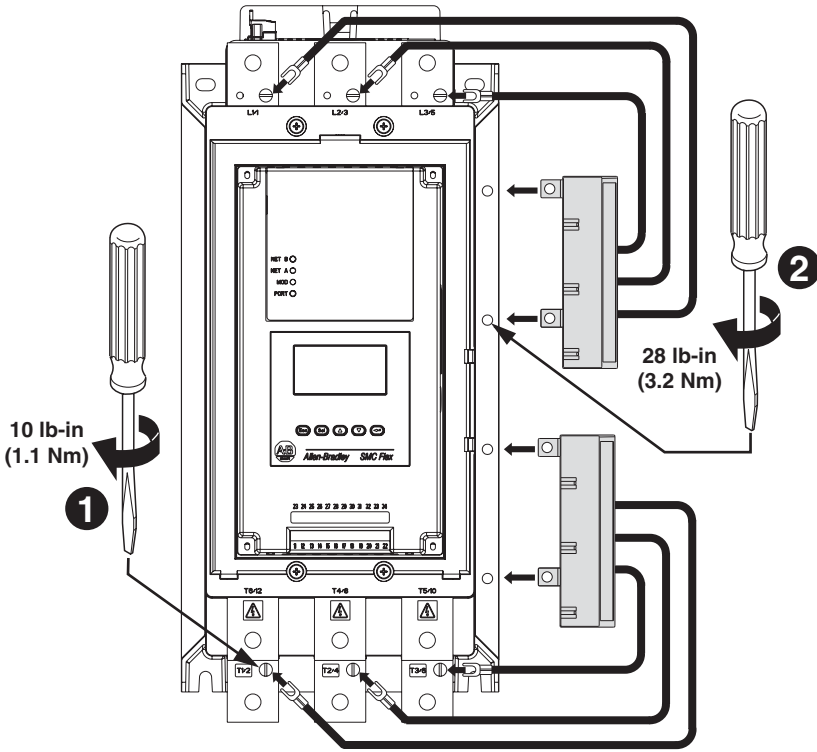


WARNING: Protective modules must not be mounted on the load side when used with controllers that use an inside-the-delta motor connection or with pump, linear deceleration or braking control. Installing them with a Delta motor connection will result in immediate damage to the protective module.

Terminal Cover Removal (SMC Flex shown)



Protective Modules Installation (SMC Flex shown)





SMC Flex (625-1250A) Protective Module Installation Instructions

(Cat 150-F84L (480V), 150-F86L (600V))

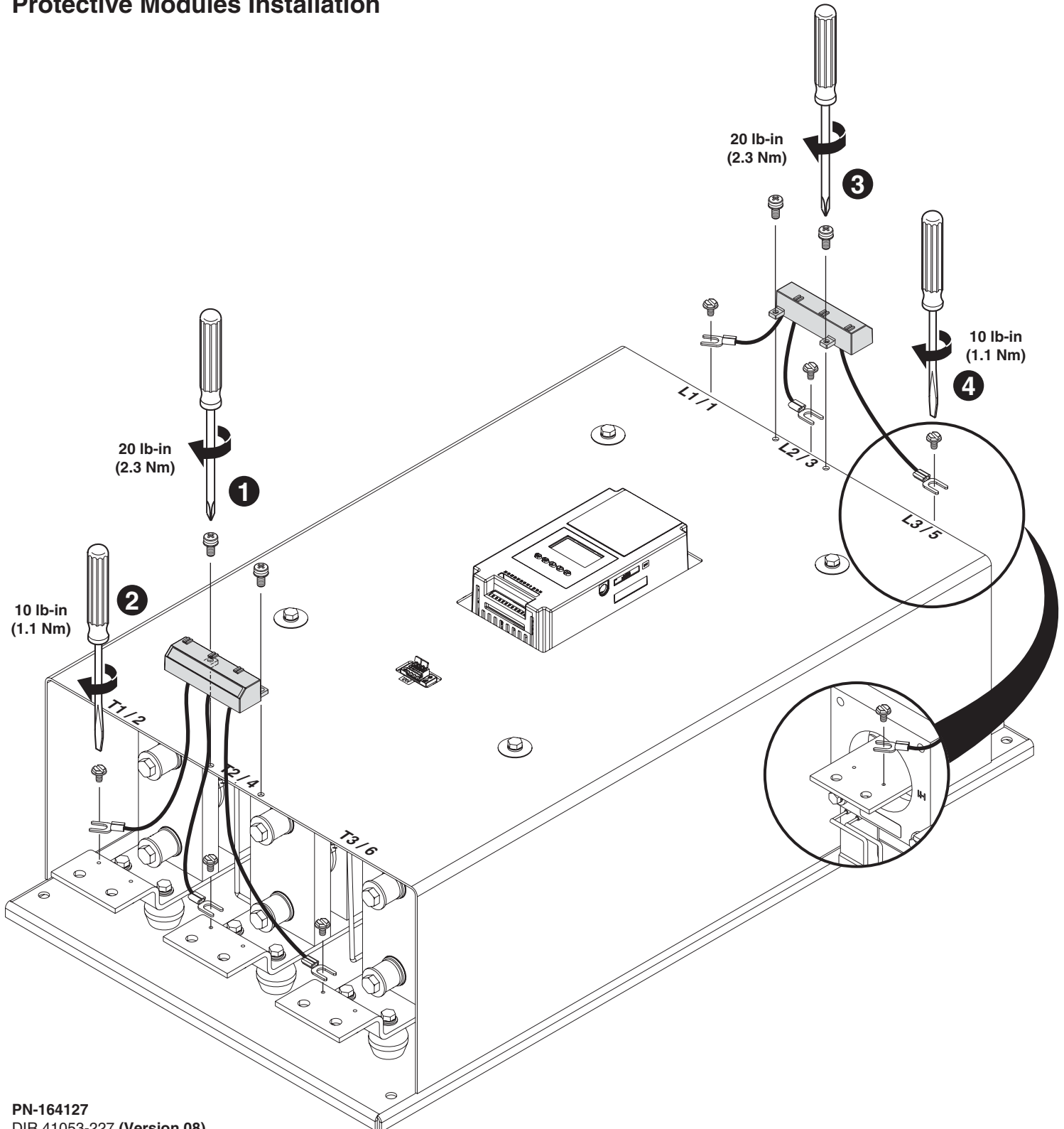


WARNING: To prevent electrical shock, disconnect from power source before installing or servicing. Install in a suitable enclosure. Keep free from contaminants.



WARNING: Protective modules must not be mounted on the load side when used with controllers that use an inside-the-delta motor connection or with pump, linear deceleration or braking control. Installing them with a Delta motor connection will result in immediate damage to the protective module.

Protective Modules Installation





SMC-50 (150-SB_) Protective Module Installation Instructions

(Cat 150-F84L (480V), 150-F86L (600V))

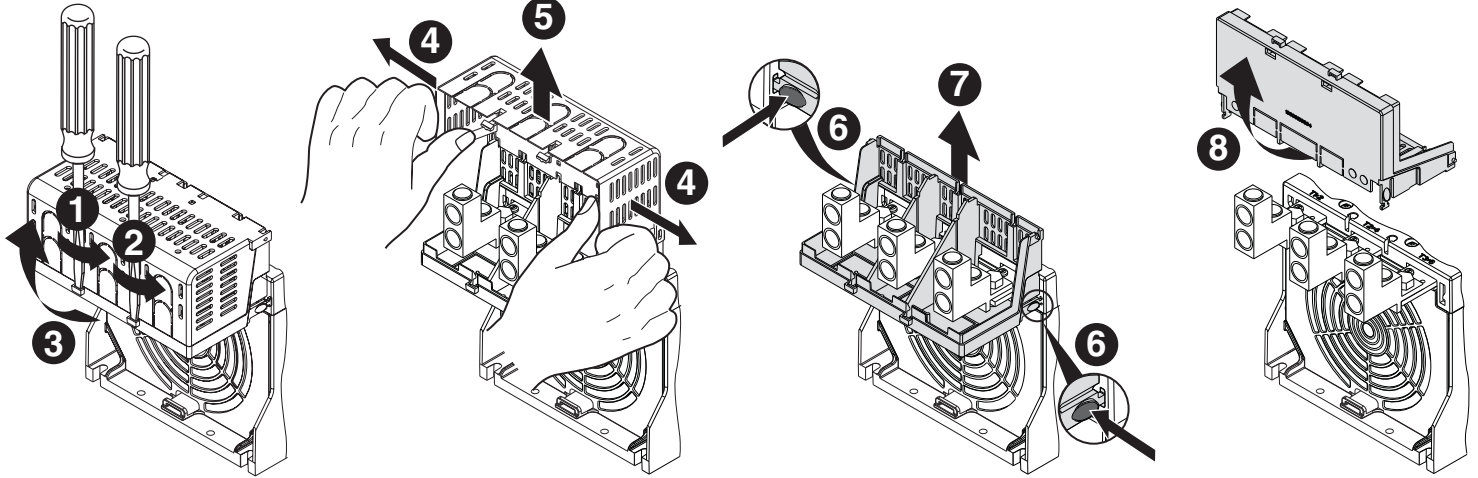


WARNING: To prevent electrical shock, disconnect from power source before installing or servicing. Install in a suitable enclosure. Keep free from contaminants.

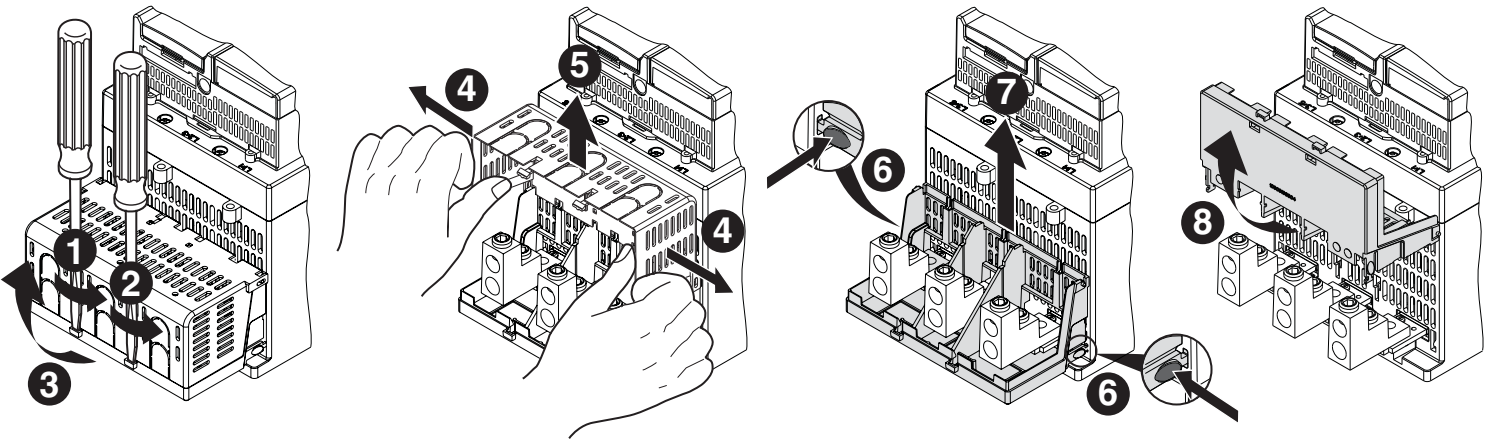


WARNING: Protective modules must not be mounted on the load side when used with controllers that use an inside-the-delta motor connection or with pump, linear deceleration or braking control. Installing them with a Delta motor connection will result in immediate damage to the protective module.

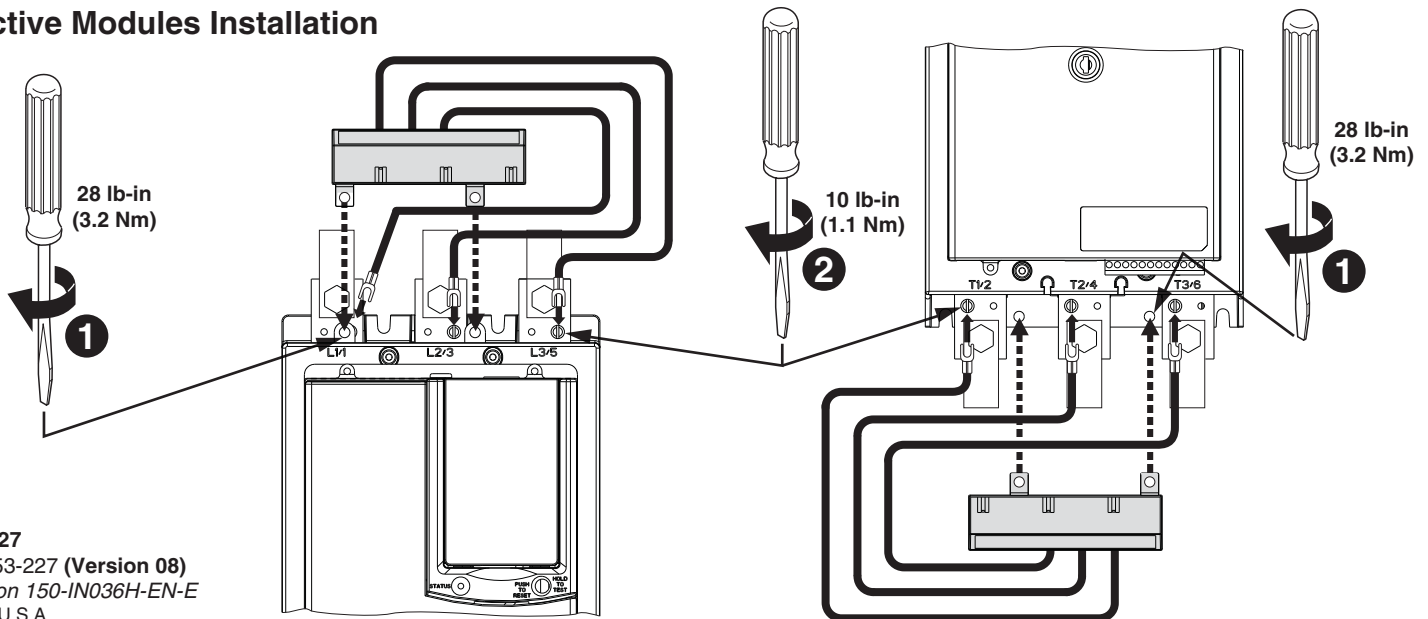
Load Terminal Cover Removal



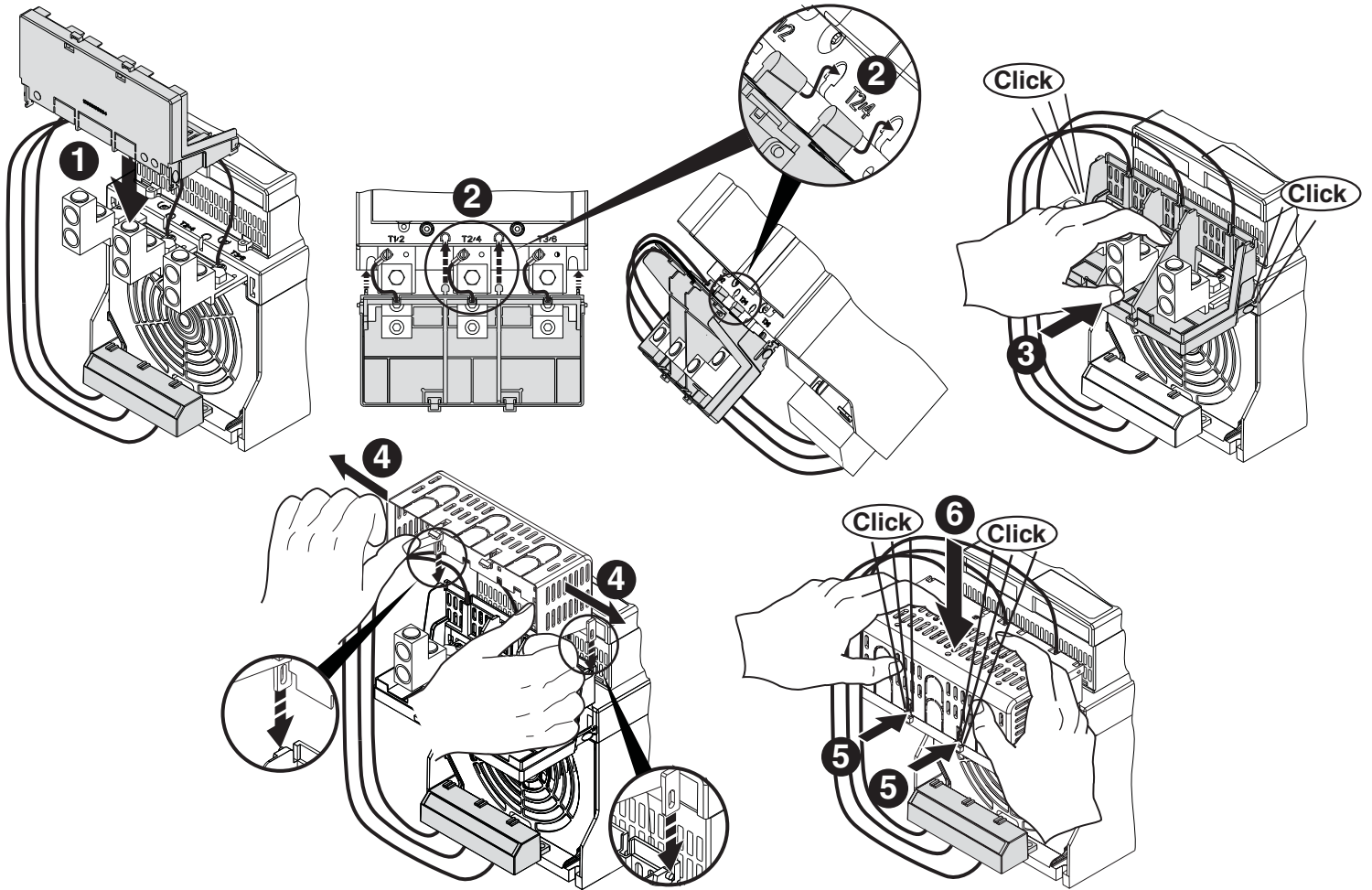
Line Terminal Cover Removal



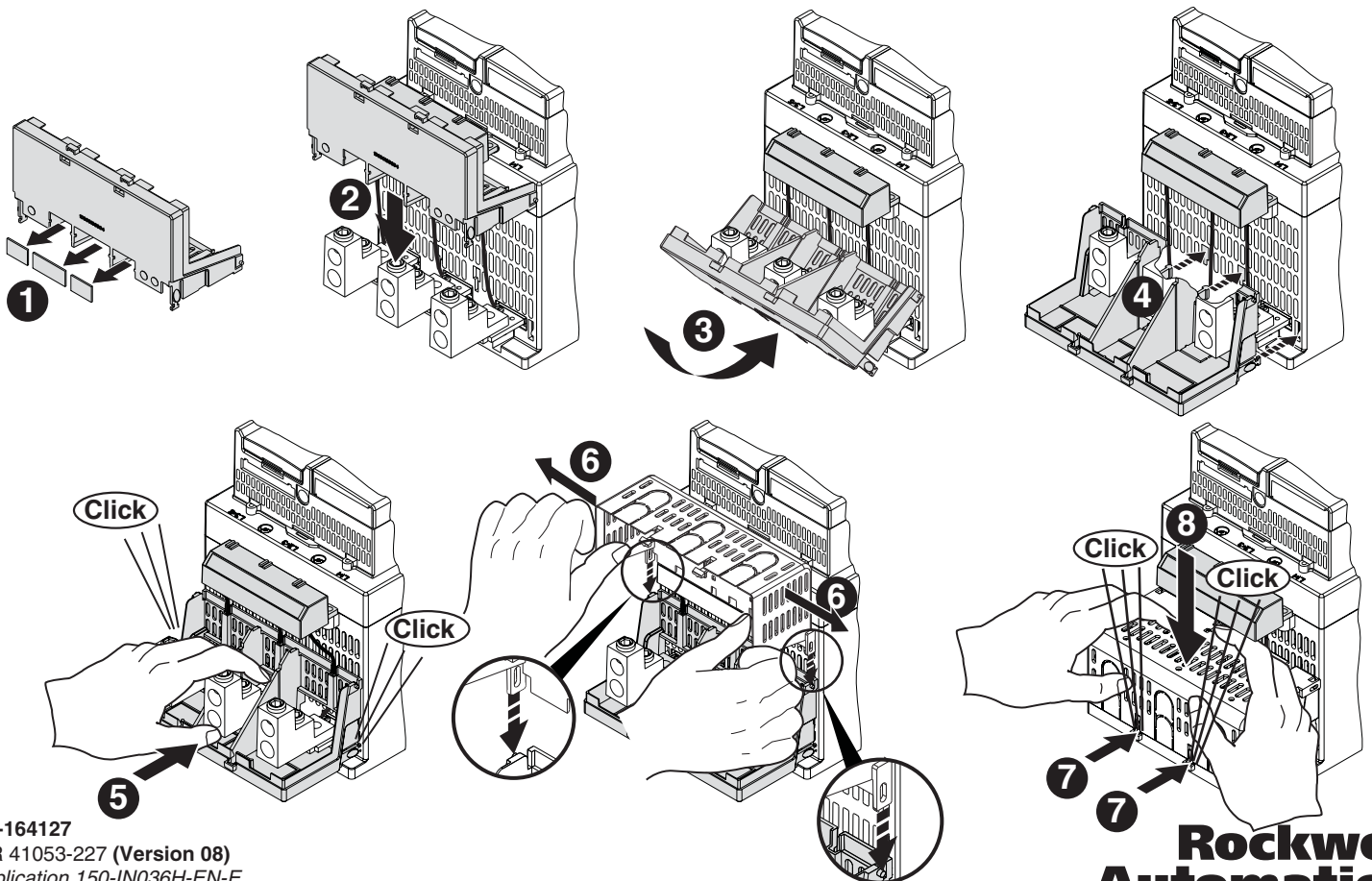
Protective Modules Installation



Load Terminal Cover Installation



Line Terminal Cover Installation





SMC-50 (150-SC_ and 150-SD_) Protective Module Installation Instructions

(Cat 150-F84L (480V); 150-F86L (600V))

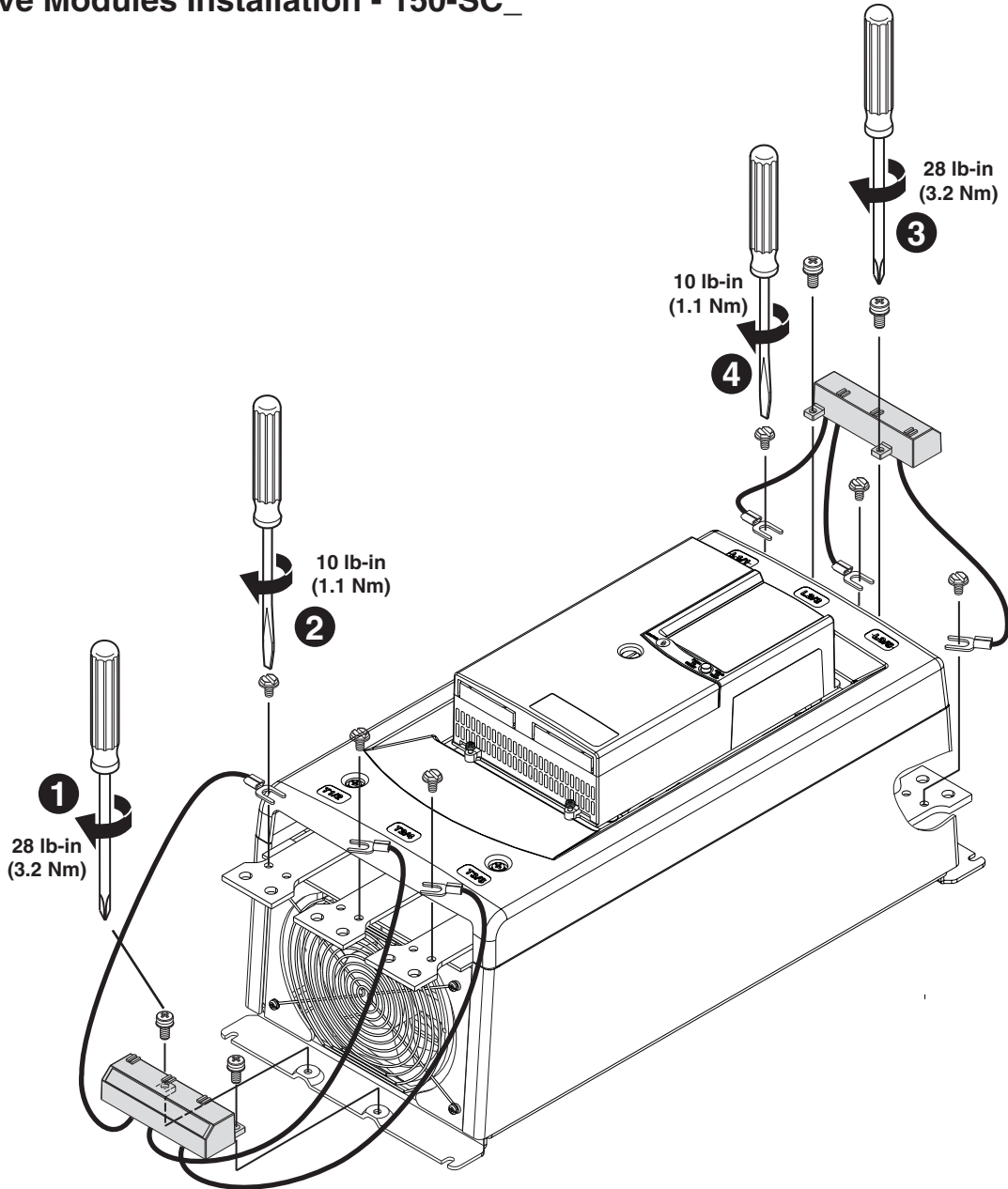


WARNING: To prevent electrical shock, disconnect from power source before installing or servicing. Install in a suitable enclosure. Keep free from contaminants.

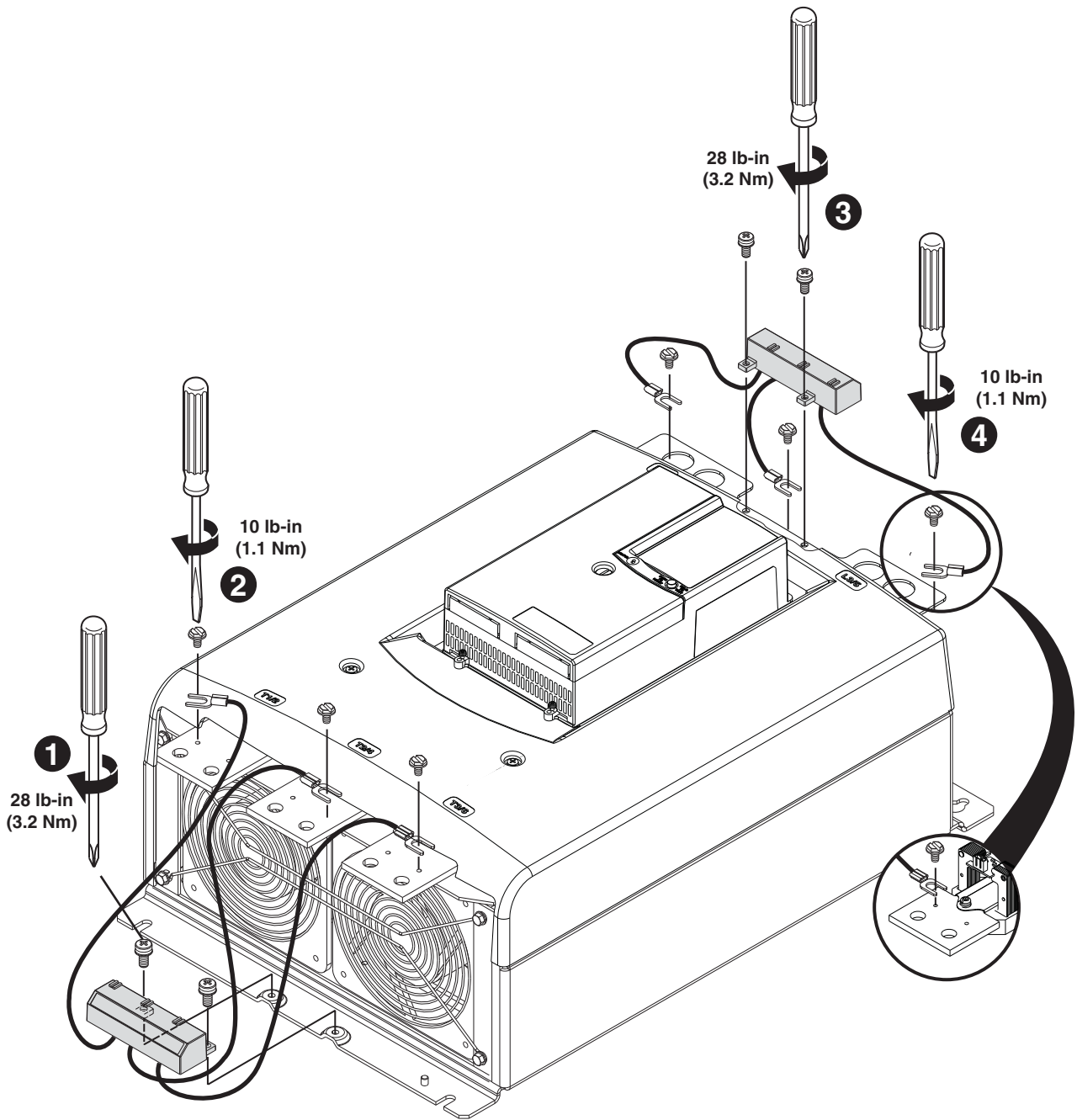


WARNING: Protective modules must not be mounted on the load side when used with controllers that use an inside-the-delta motor connection or with pump, linear deceleration or braking control. Installing them with a Delta motor connection will result in immediate damage to the protective module.

Protective Modules Installation - 150-SC_



Protective Modules Installation - 150-SD_



PN-164127
DIR 41053-227 (Version 08)
Publication 150-IN036H-EN-E
Printed in U.S.A.

**Rockwell
Automation**